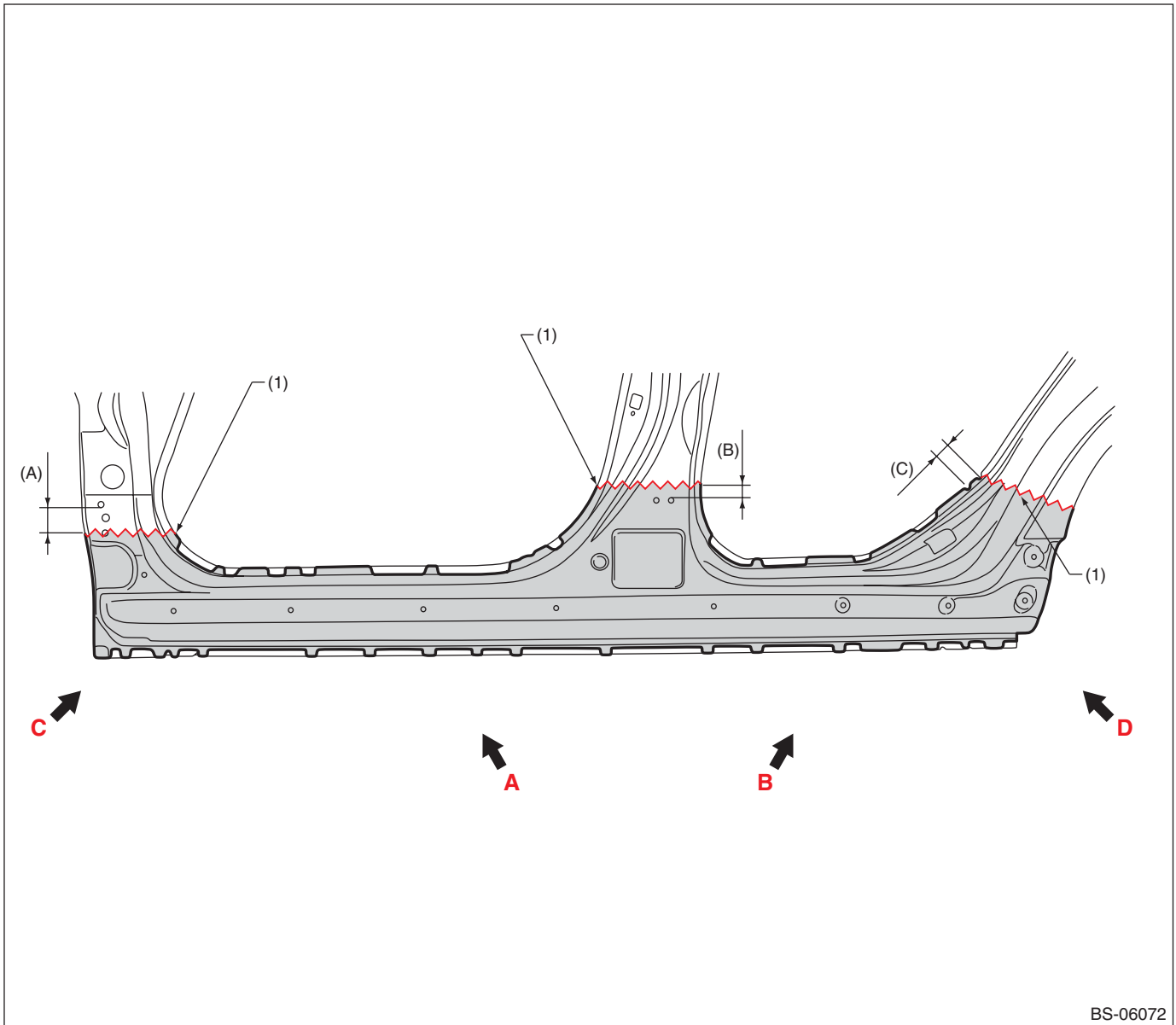


Panel Replacement

7-9. Side Sill (partial replacement)

A: REMOVAL

- Overall view



BS-06072

(A) 60 mm (2.36 in)

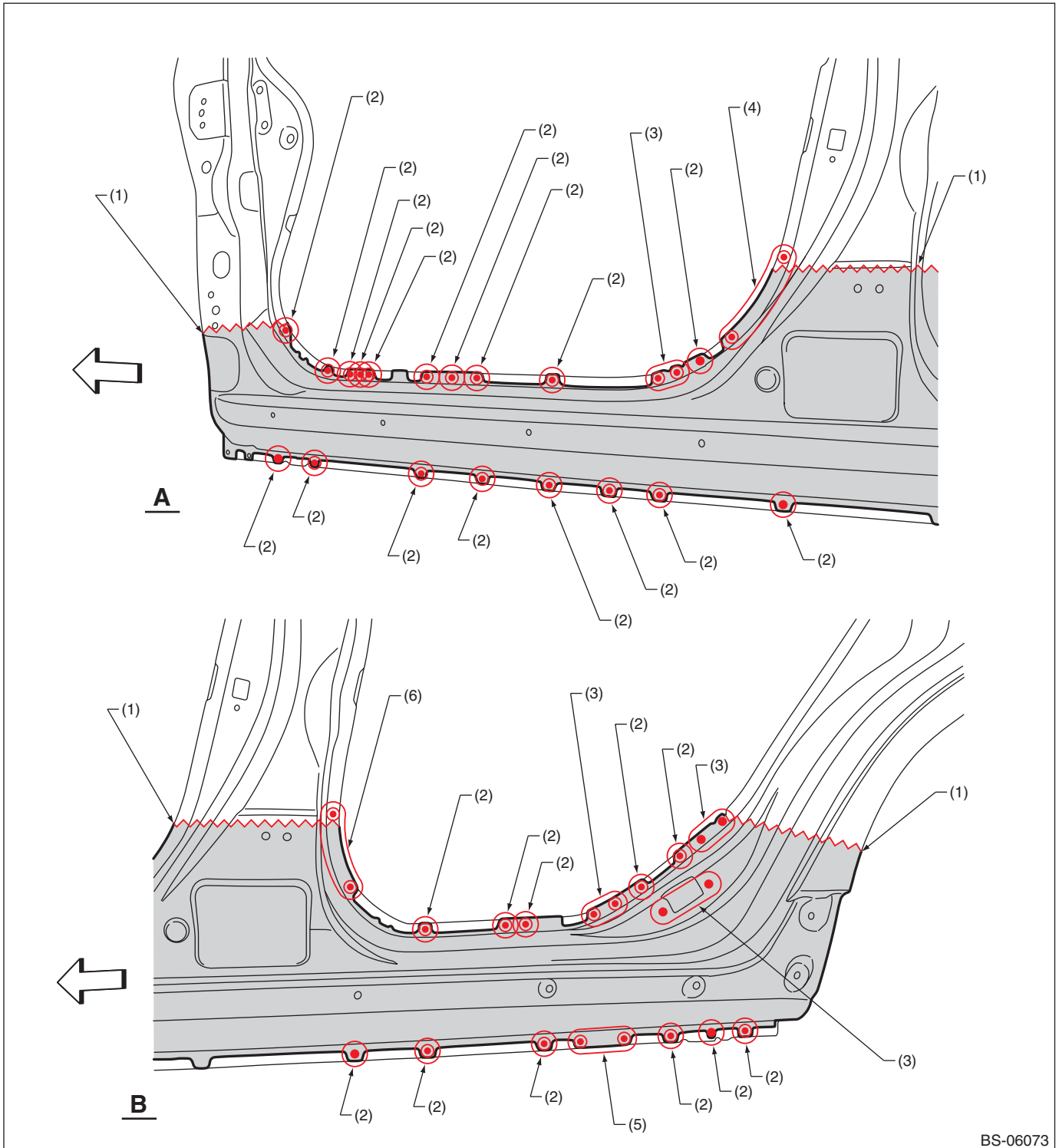
(B) 15 mm (0.59 in)

(C) 20 mm (0.79 in)

(1) Rough cutting

Panel Replacement

• Views 1

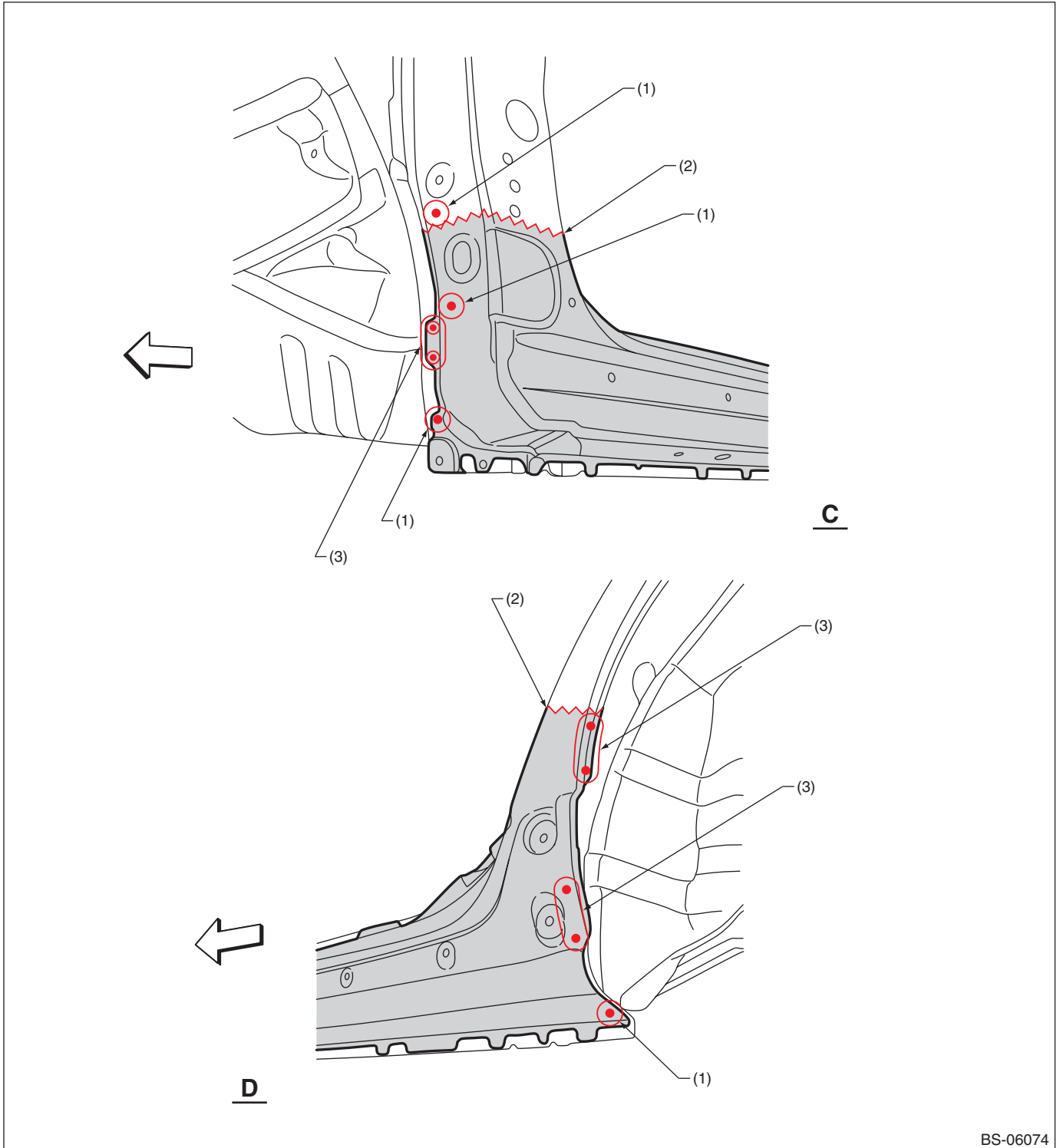


BS-06073

- | | | |
|---------------------------|----------------------------|----------------------------|
| (1) Rough cutting | (3) 2 points (outside · 1) | (5) 3 points (outside · 1) |
| (2) 1 point (outside · 1) | (4) 6 points (outside · 1) | (6) 4 points (outside · 1) |

Panel Replacement

• Views 2



BS-06074

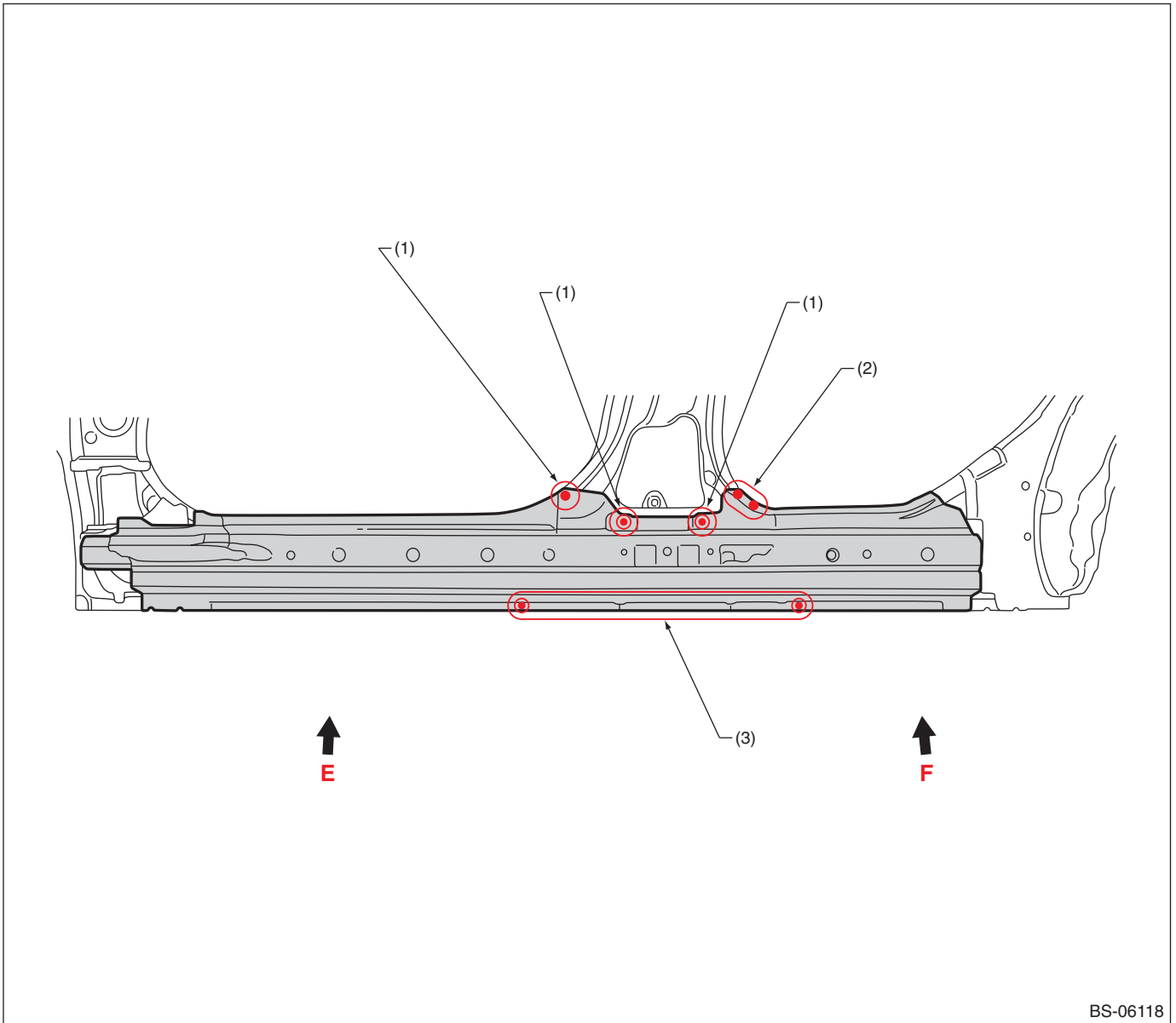
(1) 1 point (outside · 1)

(2) Rough cutting

(3) 2 points (outside · 1)

Panel Replacement

• Overall view



BS-06118

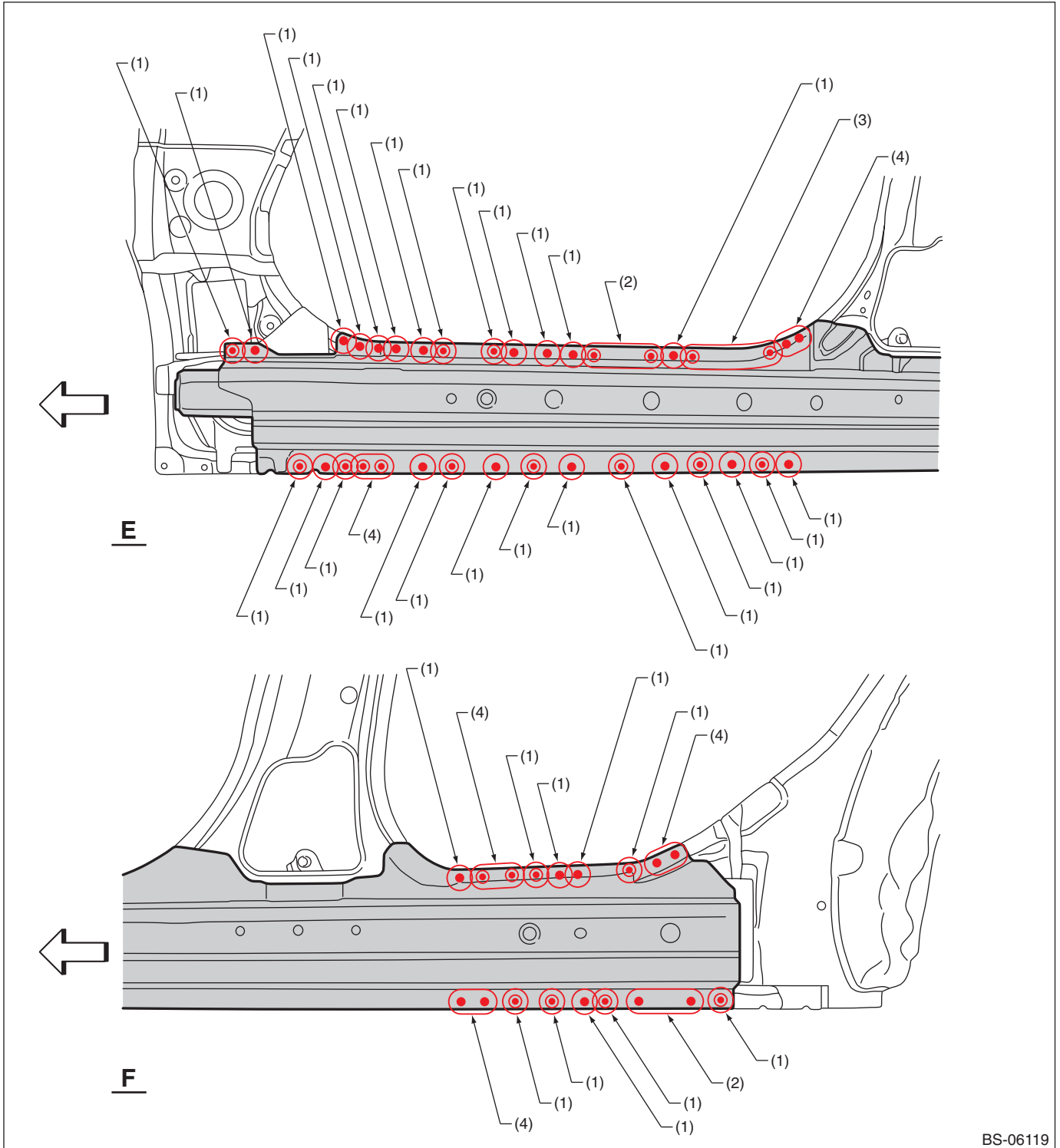
(1) 1 point (outside · 1)

(2) 2 points (outside · 1)

(3) 10 points (outside · 1)

Panel Replacement

• Views



BS-06119

(1) 1 point (outside · 1)
 (2) 3 points (outside · 1)

(3) 6 points (outside · 1)

(4) 2 points (outside · 1)